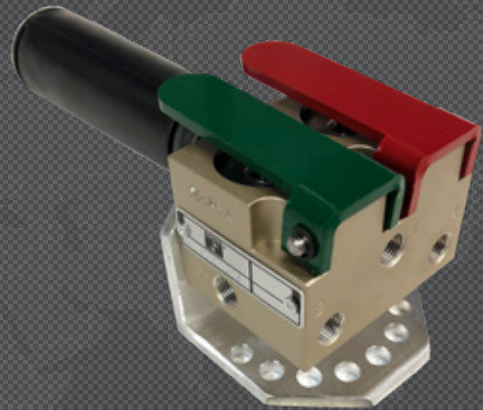
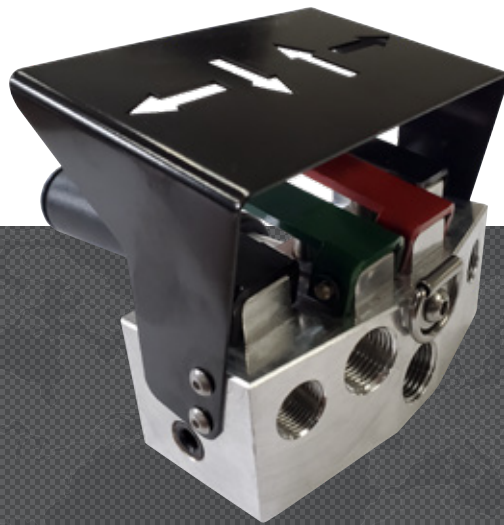




MANUAL CONTROL VALVES
PENDANT VALVES

PRODUCT CATALOG



Pendant Control Valves

Product Overview

ROSS Pendant Control Valves are ergonomically designed for ease of use. The durable construction is designed to withstand the toughest environments. The high-flow capacity allows for speed of operation, while the variable stroke allows for optimized control by the operator.

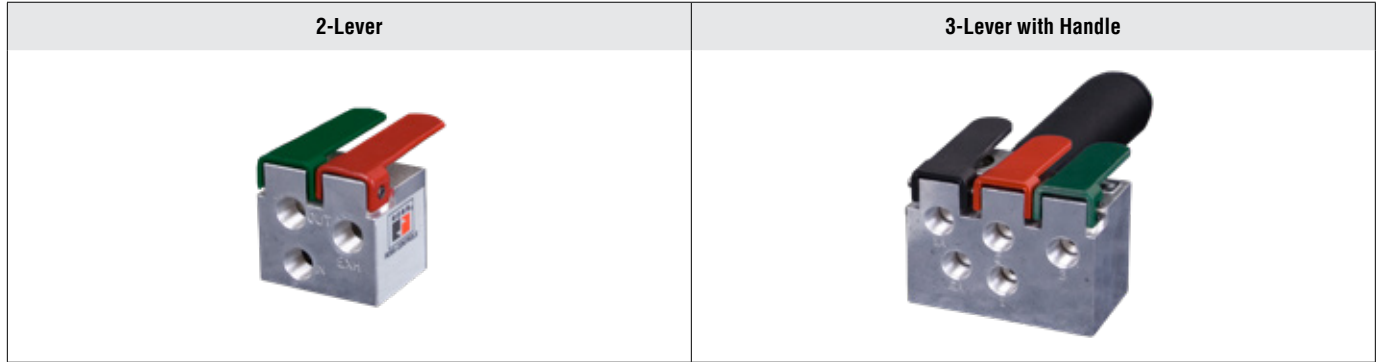


Illustration examples.

FEATURES

- Long Life
- High-Flow
- Variable Control
- High Speed
- Feathering Capabilities
- Dirt Tolerant
- Poppet Design
- Ergonomic Design

Single 3/2	<p>The Single 3/2 pendant control valve may be used anywhere that requires manual pressure control or signaling. Some applications include small single acting cylinders, vacuum cup automation and other material handling devices. Pendant control valves are also used as an air pilot for a larger directional control valve. ROSS offers a wide range of Remote Air Pilot Directional Control Valves with porting 1/4" to 2-1/2".</p>
Dual 2/2	<p>The Dual 2/2 pendant control valve can be used in various material handling applications: Load Balancers, Lift Assists and Articulating Arms or anywhere a simple 2-way air signal is needed.</p>
Dual 3/2	<p>The Dual 3/2 pendant control valve can be used in various material handling applications: Air Hoists, Double Acting Cylinders, End Effectors (clamping/gripping) and vacuum cup automation. Bi-directional Air Motors can be controlled by the Dual 3/2 or used in a circuit with a larger directional control valve to run large Air Motors. ROSS offers a wide range of Remote Air Pilot Directional Control Valves with porting 1/4" to 2-1/2".</p>
Triple 3/2	<p>The Triple 3/2 pendant control allows the convenience of three separate signals and can be used in many of the above automation functions.</p>
Quad 3/2	<p>The Quad 3/2 pendant control is frequently used in Air Hoist with Air Trolley systems. It can also be used in many of the above applications with the convenience of four signals in one handle.</p>
ROSS/FLEX® Solutions	<p>To optimize your application, ROSS offers a rapid response engineering design approach to deliver products specific to your automation needs. If you need to combine various functions in one pendant control, contact ROSS.</p>

STANDARD SPECIFICATIONS				
GENERAL	Function	2/2 and 3/2 Valve		
	Construction Design	Poppet		
	Actuation	Pneumatic	Manual	
	Mounting	Type	Line mounted	
		Orientation	Hanging I-bolt and rigid dial mount	
Connection	Threaded;	NPT, G		
OPERATING CONDITIONS	Temperature	Ambient	-40° to 175°F (-40° to 80°C)	
		Media		
		<i>For temperatures below 40°F (4°C) air must be free of water vapor to prevent formation of ice.</i>		
	<i>For temperatures below -40°F (-40°C), consult ROSS.</i>			
Flow Media	Filtered air			
Operating Pressure	0 to 150 psig (0 to 10 bar)			
CONSTRUCTION MATERIAL	Valve Body	Aluminum		
	Poppet	Stainless Steel		
	Seals	Buna-N		
IMPORTANT NOTE: Please read carefully and thoroughly all of the CAUTIONS, WARNINGS on the inside back cover.				

Ordering Information

3/2 Valve – High Flow with Variable Control



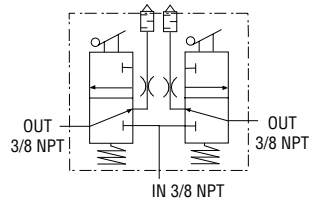
Illustration examples.

Port Size	Number of Levers	Number of Handles	Protective Cover	Valve Model Number		Flow C _v (NI/min)
				NPT Thread	G Thread	
3/8	2-Lever	One	With	2025A3232	D2025A3232	2.0 (2000)
			Without	2025A3231	D2025A3231	
1/2	4-Lever	One	With	2025A4432	D2025A4432	
			Without	2025A4431	D2025A4431	
	6-Lever	Two	Without	2025A4631	D2025A4631	

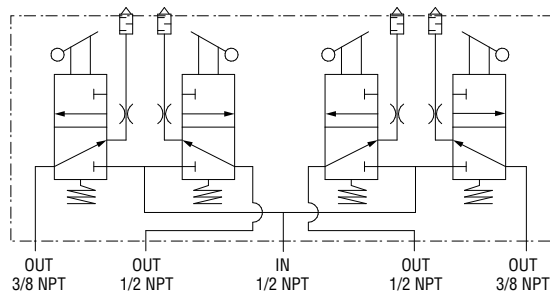
Dimensions	Valve Technical Data
Downloadable CAD models available.	

Valve Schematics

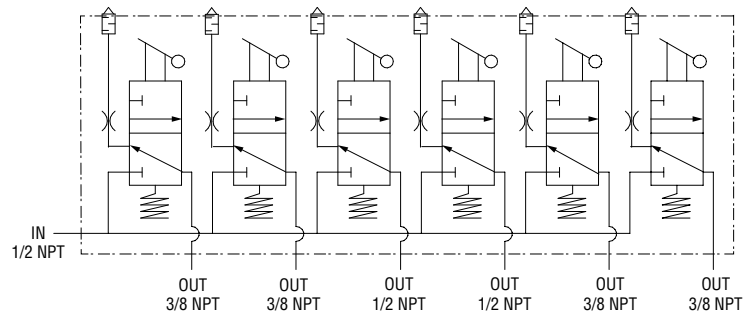
2-Lever Valve



4-Lever Valve



6-Lever Valve



Dimensions

Valve Technical Data

Downloadable CAD models available.

Ordering Information

2/2 Valve – Rigid Dial Mount with Designed Control

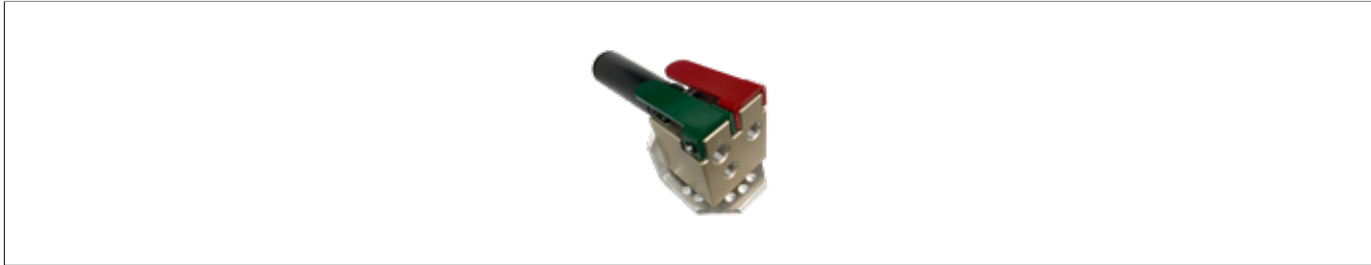
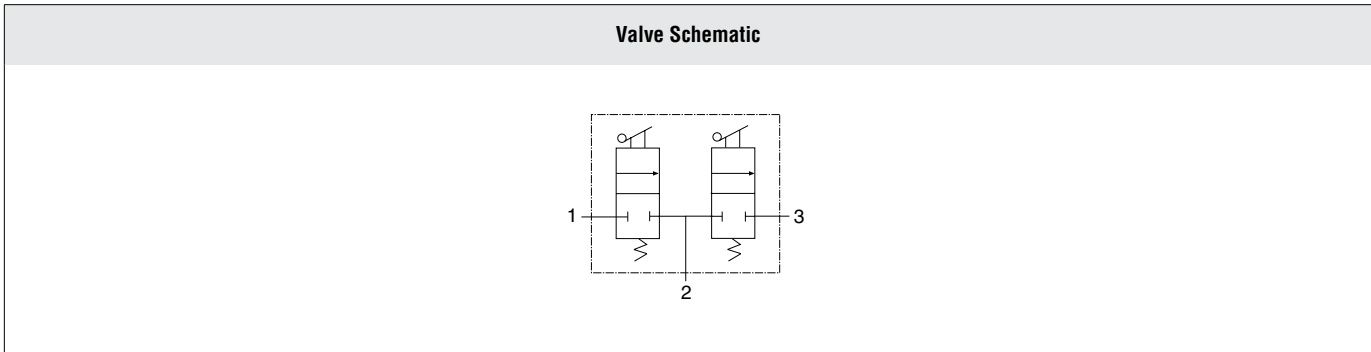


Illustration example.

Port Size	Valve Type	Number of Levers	Number of Handles	Valve Model Number	Flow C _v (NI/min)	
				NPT Thread	1-2	2-3
1/4	Dual High-Flow	Two	None	2025A2901	0.7 (720)	0.6 (50)
			One	3900A0378		



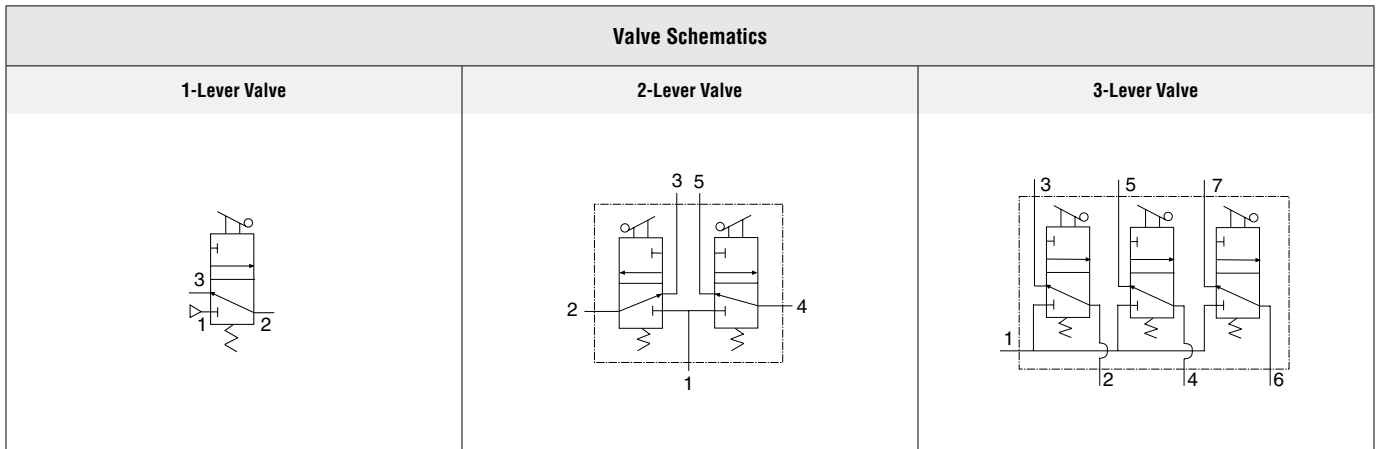
Dimensions	Valve Technical Data
Downloadable CAD models available.	

3/2 Valve – Rigid Dial Mount with Designed Control



Illustration examples.

Port Size	Valve Type	Number of Levers	Number of Handles	Valve Model Number	Flow C _v (NI/min)	
				NPT Thread	1-2	2-3
1/4	Single	One	None	2025A2910	0.2 (240)	0.4 (410)
			One	3900A1023		
1/8	Dual	Two	None	2025A1900		
			One	3900A0379		
1/4	Triple	Three	None	2025A2902		
			One	3900A0407		



Dimensions	Valve Technical Data
Downloadable CAD models available.	

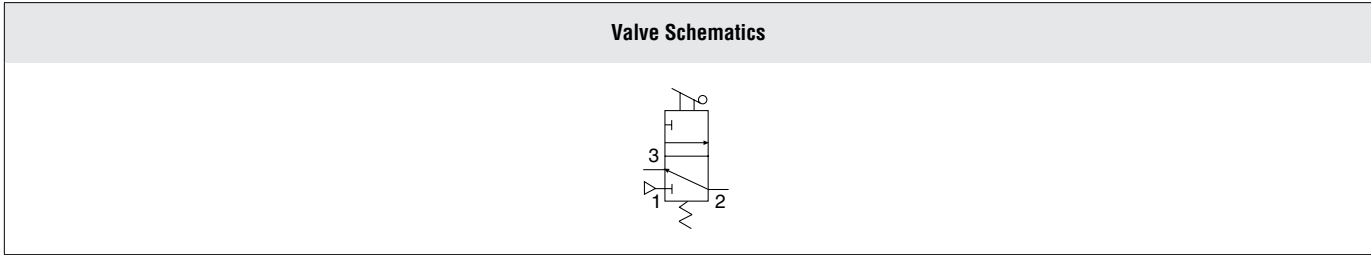
Ordering Information

3/2 Valve – Rigid Dial Mount with Designed Control and Hand Lever



Illustration example.

Port Size	Valve Type	Number of Levers	Number of Handles	Valve Model Number	Flow C _v (NI/min)	
				NPT Thread	1-2	2-3
1/4	Single	One	None	2025A2904	0.2 (240)	0.4 (410)
			One	3900A1111		



Dimensions	Valve Technical Data
Downloadable CAD models available.	

APPLICATIONS

- Air Hoists • Air Motors • Articulating Arms • Air Winches • Cylinder Actuation • End Effectors (clamps) • Remote Pilot Signal for another Valve
- Air Balancers • Lift Assist • Vacuum Pick & Place

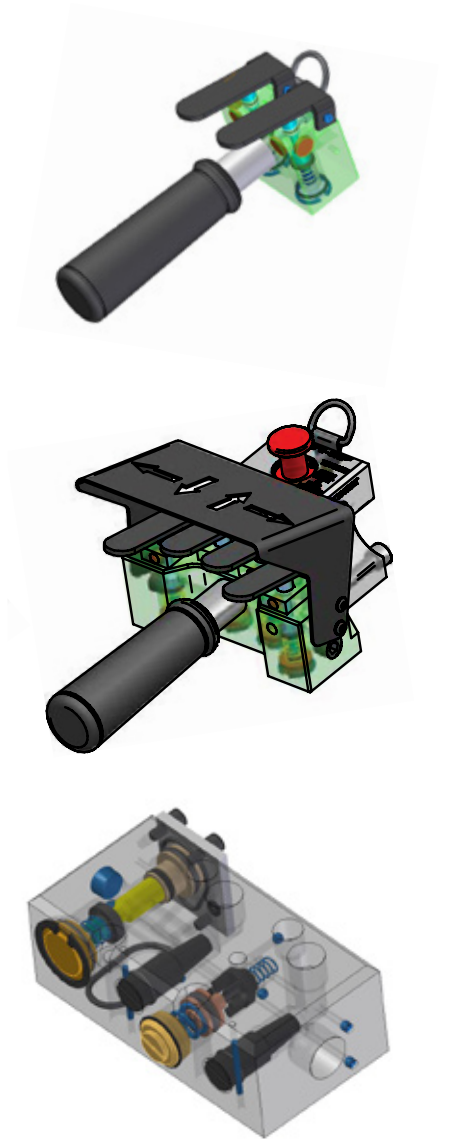
Application Examples			
Dual 2/2	<p style="text-align: center;">Air Balancer</p>	<p style="text-align: center;">Articulating Arm (Lift Assist)</p>	
Single 3/2	<p style="text-align: center;">Vacuum Cup Pick & Place</p>	<p style="text-align: center;">Single Acting Cylinder</p>	
Dual 3/2	<p style="text-align: center;">Air Hoist</p>	<p style="text-align: center;">Bi-directional Air Motor</p>	<p style="text-align: center;">Pilot for Larger Valve</p>
4-Lever 3/2	<p style="text-align: center;">Air Hoist with Trolley</p>		

Optimize your Application with ROSS/FLEX®


ROSS/FLEX® Engineering Design Services will match your Pendant Control needs.

Does your application need a slightly different Pendant Control Valve? Our rapid response engineers will work directly with your team to develop a specific solution for your needs. Using ROSS/FLEX® methodology allows new products to be developed in days and weeks, instead of months and years. Top companies worldwide rely on ROSS/FLEX® to quickly solve problems and improve productivity.

- * # of Levers
- * Lever Colors
- * 2-way, 3-way, 4-way Combinations
- * Specific Flows
- * Various Mounting
- * Port Sizes and Thread Types
- * Corrosion Protection Coatings
- * Brass, Stainless Steel or other Materials
- * E-Stop Options
- * Air Balancer Designs
- * Available for Private Label



Air Balancer Designs

Auxiliaries			
Energy Isolation L-O-X®	Flow Control	Remote Air Control Valves	Air Preparation FRL's
			



AMERICAS	ROSS CONTROLS	USA	Tel: +1-248-764-1800	www.rosscontrols.com
	ROSS CONTROLS CANADA Ltd.	Canada	Tel: +1-416-251-7677	www.rosscanada.com
	ROSS DO BRASIL LTDA	Brazil	Tel: +55-11-4335-2200	www.rosscontrols.com.br
EUROPE	ROSS EUROPA GmbH	Germany	Tel: +49 (0)6103-7597-100	www.rosseuropa.com
	ROSS FRANCE SAS	France	Tel: +33-(0)1-49-45-65-65	www.rossfrance.com
	ROSS PNEUMATROL Ltd.	United Kingdom	Tel: +44 (0)1254 872277	www.rossuk.co.uk
ASIA & PACIFIC	ROSS CONTROLS INDIA Pvt. Ltd.	India	Tel: +91-44-2624-9040	www.rosscontrolsindia.com
	ROSS CONTROLS (CHINA) Ltd.	China	Tel: +86-21-6915-7961	www.rosscontrolschina.com
	ROSS ASIA K.K.	Japan	Tel: +81-42-778-7251	www.rossasia.co.jp
	AUTOMATIC VALVE INDUSTRIAL LLC	USA	Tel: +1-248-474-6700	www.automaticvalve.com
	ROSS DECCO COMPANY	USA	Tel: +1-248-764-1800	www.rossdecco.com
	ROSS PNEUMATROL Ltd.	United Kingdom	Tel: +44 (0)1254 872277	www.pneumatrol.com
	manufactIS GmbH	Germany	Tel: +49 (0)2013-16843-0	www.manufactis.net

Full-Service Global Locations

There are ROSS Distributors Throughout the World

To meet your requirements across the globe, ROSS distributors are located throughout the world. Through ROSS or its distributors, guidance is available for the selection of ROSS products, both for those using fluid power components for the first time and those designing complex systems.

Other literature is available for engineering, maintenance, and service requirements.

If you need products or specifications not shown in this catalog, please visit ROSS' website, contact ROSS or your ROSS distributor. The ROSS Support Team will be happy to assist you in selecting the best product for your application.